



Lambda Sensor LSU4.9

Application:

Application	Lambda 0.65 to Infinity
Fuel Compatibility	Gasoline / Diesel / E85
Exhaust Gas Pressure	< 2.5 bar (higher with decrease accuracy)
Exhaust Gas Temperature Range (operating)	< 930 °C
Exhaust Gas Temperature Range (max) for short time	< 1,030 °C
Hexagon Temperature	< 600 °C
Wire and Protective Sleeve Temperature	< 250 °C
Connector Temperature	< 140 °C
Storage Temperature Range	-40 to 100 °C
Max Vibration (stochastic peak level)	300 m/s ²

Technical Specifications:

Variations (LSU 4.9 with automotive connector)

Connector	1 928 404 682
Mating Connector	D 261 205 356-01
PIN 1	IP / APE
PIN 2	VM / IPN
PIN 3	Uh- / H-

sens4speed
Sensors Store by TEXYS

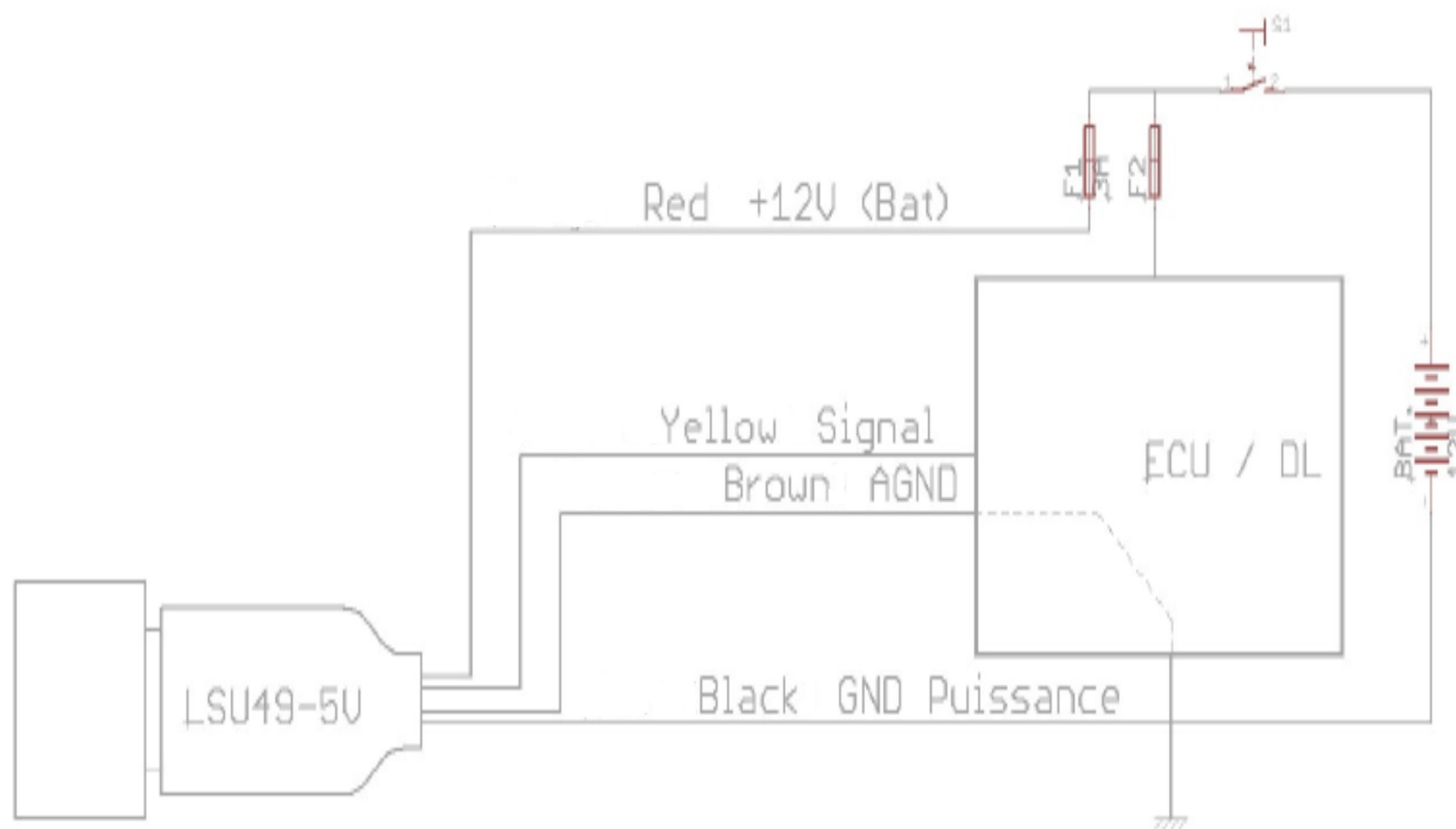
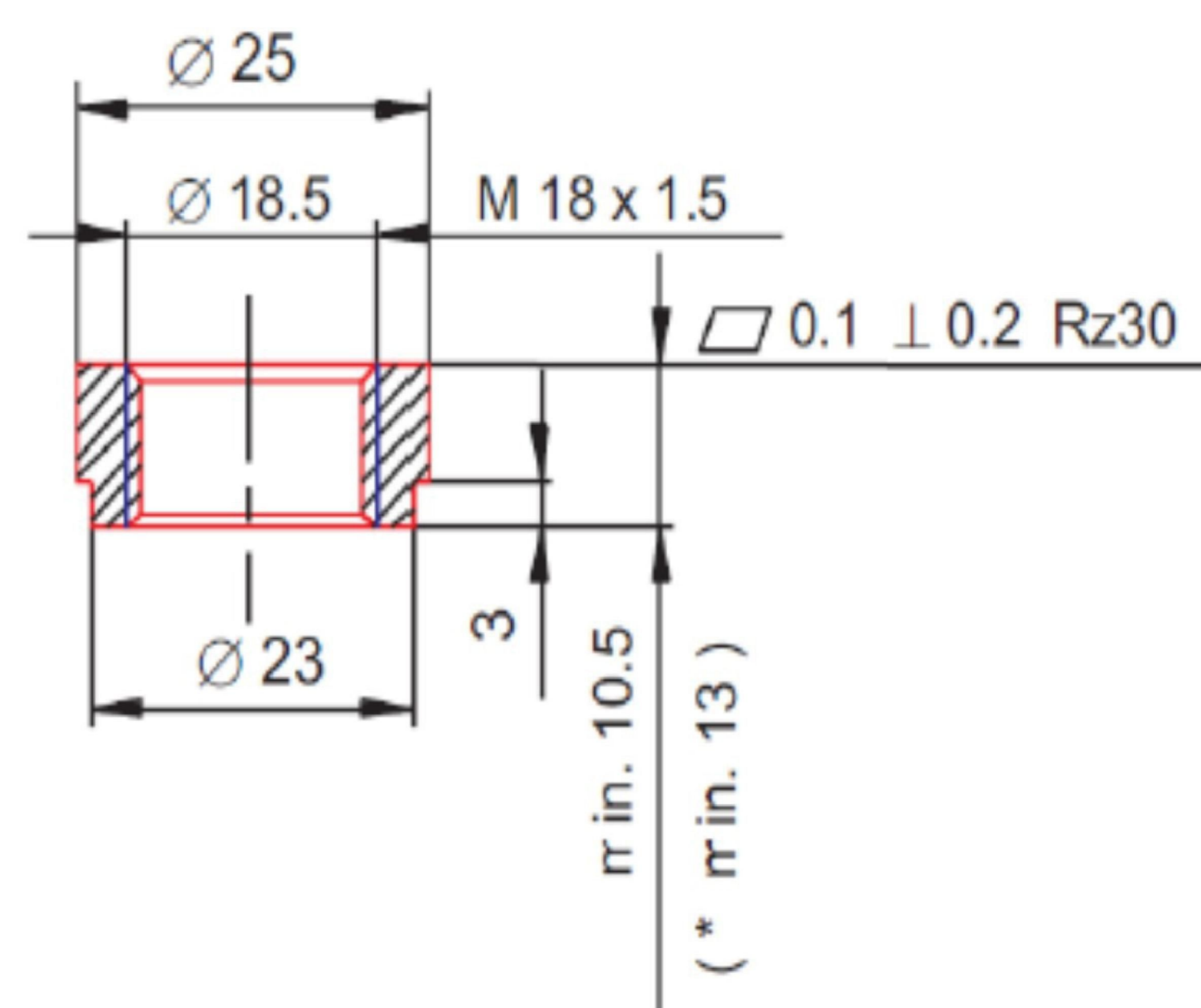


Mixture Control

LSU49-5V

Specifications

- measurement From air to 1.55 of richness
- max gain error +/- 1%
- max offset error +/- 15 mV
- max temperature use 100°C
- total length 30 cm
- weight 30 g



**TEXYS
INTERNATIONAL**

2A des Chamonds
Rue Edouard Branly
58640 Varennes-Vauzelles
(FRANCE)

Tel. : +33 (0) 3 86 21 27 18
Fax : +33 (0) 3 86 21 24 49