

# VR-TA-G

## SPEED SENSOR

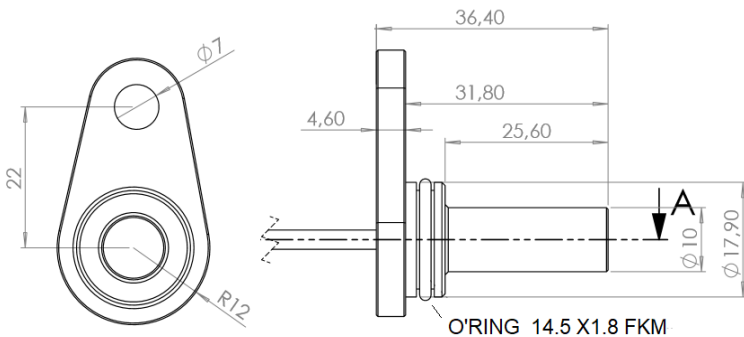
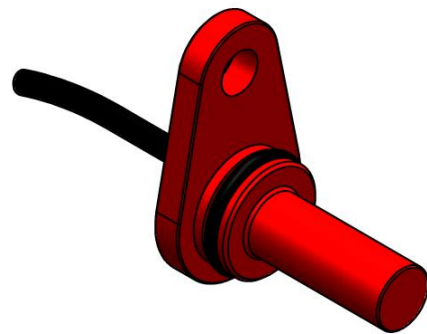
SN: V#####

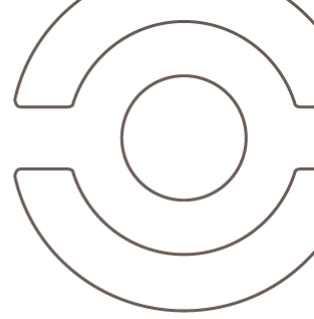
Texense sensors are designed for data logging. Should the users want to include this sensor in a closed loop system, they must undertake total responsibility from doing so.

Max Frequency	20	kHz
Distance to target	1 to 2	mm
Supply voltage	4 to 25	V
Supply current	15	mA
Output Signal	NPN open collector	
Max output voltage	25	V
LED indicator	Yes	
Sensitive Element	Differential Hall effect	
Fixation	Diam 7 at 22 from sensor axis	mm
Dimensions	42x36.4x24	mm
Material	Aluminium	
Weight	20	g
Protection	IP67	
Vibration test	20 Gpp5'	
shock	500	G
Operating temp	-50 to +180	°C
Storage temp	-50 to +125	°C

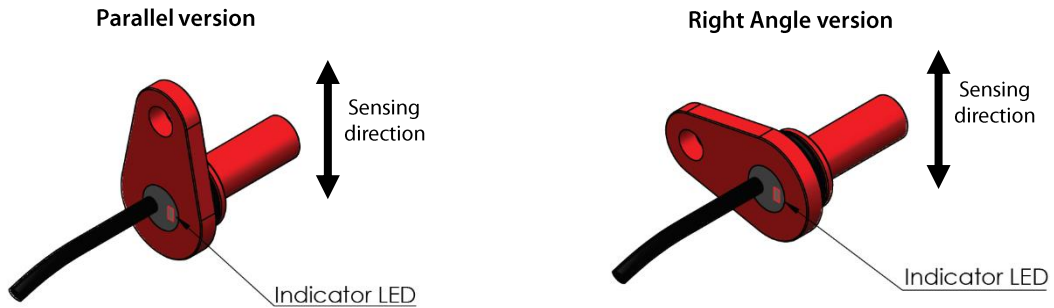
Ref:	VR-TA-G-#
Order	
Customer	
Operator / date	

Cable		
<input checked="" type="checkbox"/> 3x26 AWG FEP tinned copper braided cable 250V 200°C <input type="checkbox"/> EPD 117723A Length: 1000mm                      Tubing: Connector: on request		
Colour	Function	Pin
Red	Supply input	
Black	0V	
White	Signal	
Braid (not for EPD117723A)	Not connected	



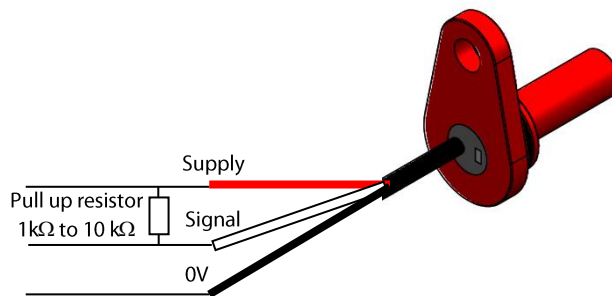


## Mechanical design



## Wiring

If the data logger has no pull-up, they must be added between supply (red) and signal (white) wires.



## Ordering information

**Ordering ref:**

VR-TA-G-Orientation

P: Parallel

RA: Right Angle

Ex: VR-TA-G-P