

VR-TA-G-DUAL-2C

SPEED SENSOR WITH DUAL OUTPUT

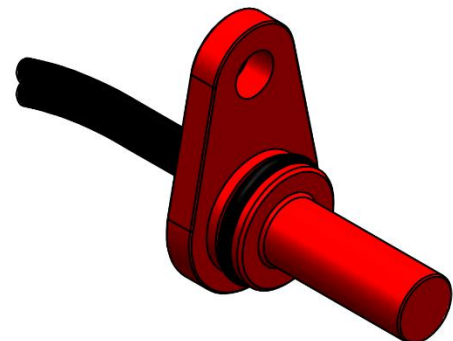
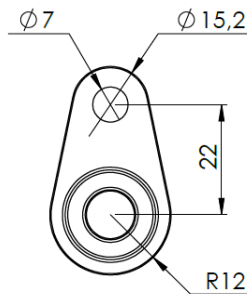
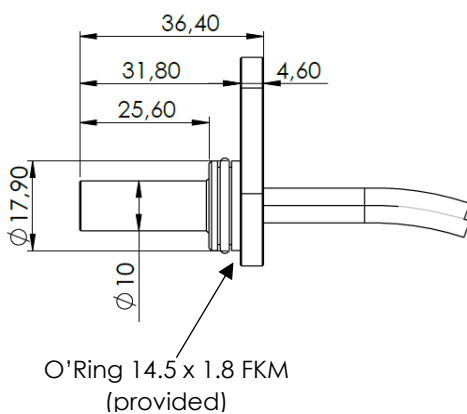
SN: V#####

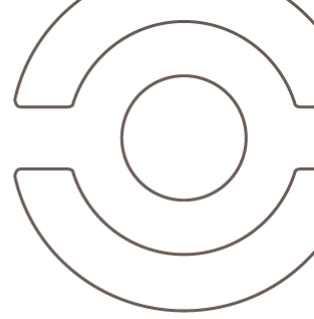
Texense sensors are designed for data logging. Should the users want to include this sensor in a closed loop system, they must undertake total responsibility from doing so.

Max Frequency	20	kHz
Distance to target	1 to 2	mm
Supply voltage	5 to 25	V
Supply current	16	mA
Output Signal	NPN open collector	
Max output voltage	25	V
LED indicator	Yes	
Sensitive Element	Differential Hall effect	
Fixation	Diam 7 at 22 from sensor axis	mm
Dimensions	42x36.4x24	mm
Material	Aluminium	
Weight	20	g
Protection	IP67	
Vibration test	20Gpp5'	
shock	500	G
Operating temp	-50 to +180	°C
Storage temp	-50 to +125	°C

Ref:	VR-TA-G-DUAL-2C-#
Customer	
Order	
Operator / date	

Cable	
3x26 AWG FEP tinned copper braided cable 250V 200°C	
Length: 1000mm Tubing:	
Connector: on request	
Cable 1 (with label)	
Colour	Function
Red	Supply input 1
Black	0V
White	Signal 1
Cable 2	
Colour	Function
Red	Supply input 2
Black	0V
White	Signal 2



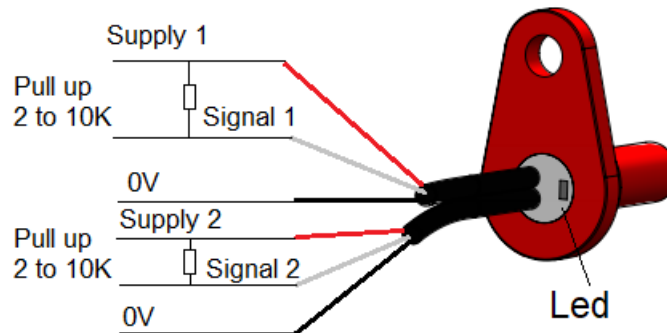


Mechanical design



Wiring

If the data logger has no pull-up, they must be added between supply (red) and signal (white) wires. Sensor supply is done by the highest supply between supply 1 and supply 2.



Ordering information

