

# VR-09-SSR

## SPEED SENSOR SINGLE WIRE SPEED AND ROTATION

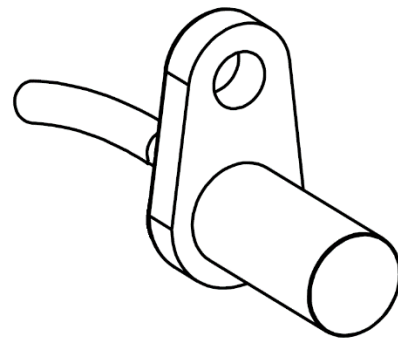
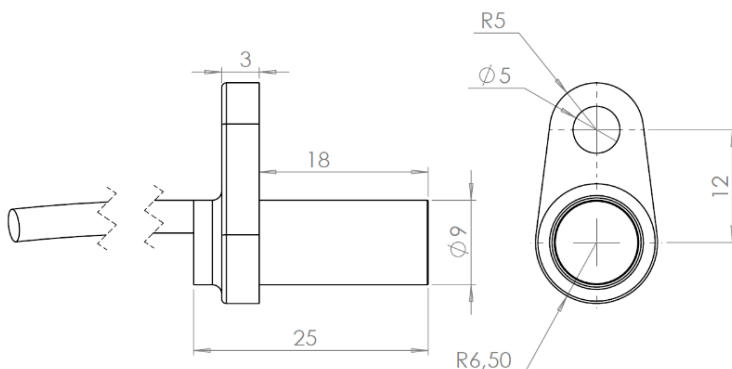
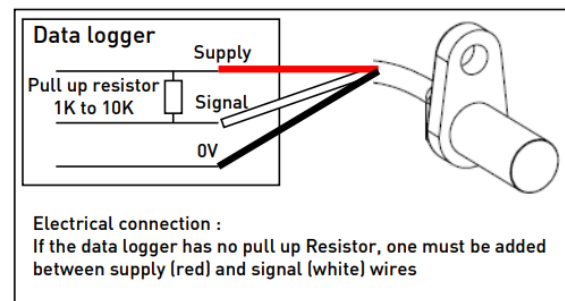
SN : V

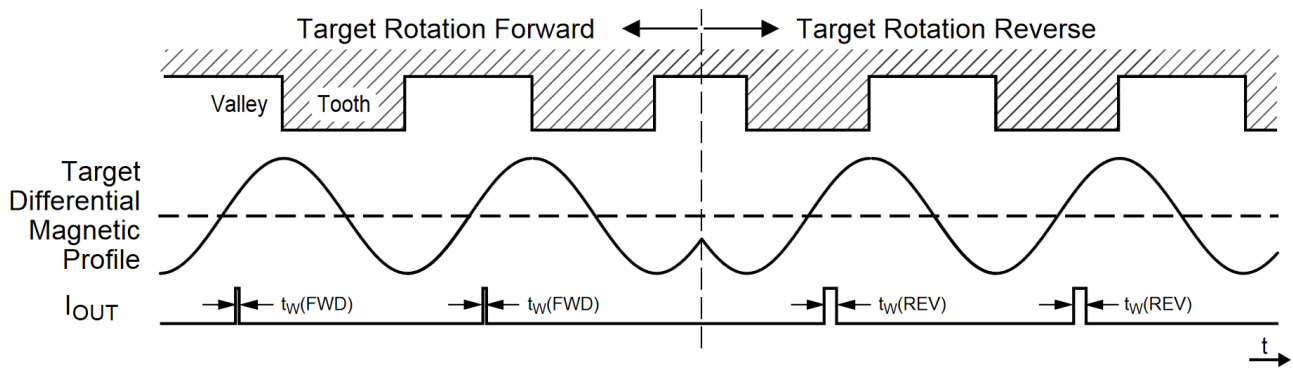
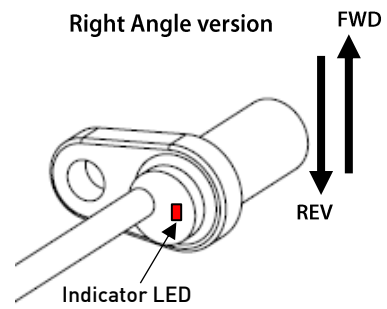
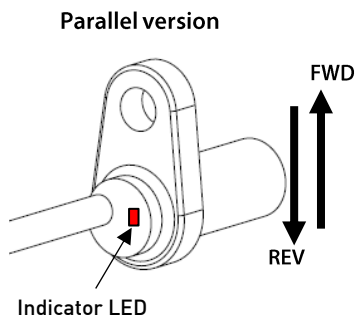
Texense sensors are designed for data logging. Should the users want to include this sensor in a closed loop system, they must undertake total responsibility from doing so.

Max Frequency	4	KHz
Distance to target	1 to 2	mm
Pulse width FWD rotation	45±7	µs
Pulse width REV rotation	90±14	µs
Pulse width no direction	180±27	µs
Supply voltage *	5 to 25	V
Supply current	16	mA
Output Signal	NPN open collector	
Max output voltage	25	v
LED indicator	Yes	
Sensitive Element	Differential Hall effect	
Fixation	Diam 5 at 12 from sensor axis	mm
Dimensions	25x24x13	mm
Material	Aluminum	
Weight	15	g
Protection	IP67	
Vibration test	20Gpp5'	
shock	500	G
Operating temp	-50 to +180	°C
Storage temp	-50 to +125	°C

Ref:	VR-09-SSR-#		
Customer	Order	Operator	Date

Cable	
3x26 AWG FEP tinned copper braided cable 250V 200°C	
Length: 1000mm	Tubing: 50mm
Connector: on request	
Color	Function
Red	Supply input
Black	0V
White	Signal





**Ordering ref:**

VR-09-SSR-Orientation

P: Parallel

RA: Right Angle

Ex: VR-09-SSR-P