



LSU49-CA

The LSU49-CA-Level 1 is an analog controller for wideband lambda probe LSU4.9 to give a signal between 0 and 5V proportional to richness.

CHARACTERISTICS

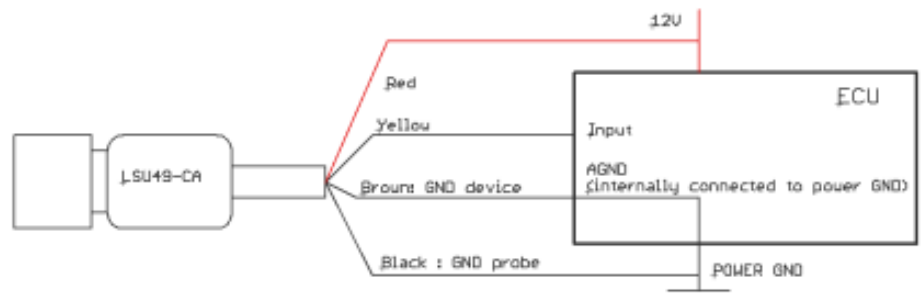
Power supply: from 9V to 16V (device work below 9V but power could be not enough for heater regulation)
 Consumption: maxi 3A on cold sensor
 Measurement range: air to 1.54 richness (probe limitation with HC=2)
 One analogue output
 CAN bus (open, 2kOhm load built in PCB)
 Offset: +/-12mV
 Gain precision: +/-1%
 Analogue output resistance: 1k
 Maximum ambient temperature use: 100°C
 Sensor heating temperature: regulated to 780°C (can drift with sensor aging)
 Enclosure: Polyamide (Aluminium as option coming soon)
 Total length: 32cm
 Weight: 45g
 IP: IP65
 Connector:
 DTM04-6P on loom side
 Matting: connector : DTM06-6S
 Wedge lock: WM6S
 Terminals : 1062-20-0222 (0,35 to 1,5mm2)
 Type VW on sensor side.

Cables : 22AWG 150°C with DR25 sleeve

For further information, see the corresponding web page on <https://www.thqtronic.com/lsu49-ca.html>

CONNECTION OF LSU49-CA

DTM Pin	Function	Cable colour
1	CAN H	White
2	CAN L	Blue
3	Power Supply	Red
4	Probe Ground	Black
5	Device Ground	Brown
6	Analog output	Yellow



Important Advice

DO NOT APPLY MECHANICAL STRESS ON THE BODY OF THE DEVICE WITH TY-RAP OR OTHER.
 Do not clean with aggressive solvent.
 Do not apply high pressure spray.
 Do not bend the cable near to the device.