



CAN-A-DG-V2

CAN to Analog Converter

8 Analog outputs

Analog Outputs	Range	0-5 or 0-10	Volts
	Resolution 16bits	0.0763 or 0.1526	mV/bit
	Accuracy	0.2 (-20 / +125°C)	% FS
CAN capture	bus2.0 A or B	120Ω : <input type="checkbox"/> yes <input type="checkbox"/> no	
	Baud rate	125k to 1M	bps
	Max frequency (per frame)	200	Hz
Parameters		See parameters tables	
Supply Voltage		6 to 16	V
Supply Current		<30	mA
Dimensions		48x30x33	mm
Material		Aluminum	
Weight		45	g
Protection		IP67	
Vibration test		20Gpp 5'	
Operating Temp		-20 to +125	°C
Storage Temp		-40 to +125	°C

Ordering ref: CAN-A-DG-V2- *Output range - Option*
 5: 0-5V C: cable
 10: 0-10V

Ex: CAN-A-DG-V2-5 → output: 0-5V

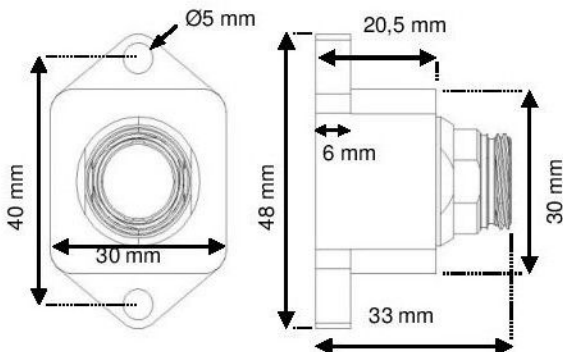
Texys sensors are designed for data recording. If the user wants to include this sensor in a close loop system or active control, he must assume all responsibility.

Function	Description	Pin	Ring1	Ring2
Supply	Supply (6 to 16 V)	1	Brown	
	GND*	2	Red	
Analog Outputs	Channel 1	3	Orange	
	Channel 2	4	Yellow	
	Channel 3	5	Green	
	Channel 4	6	Blue	
	Channel 5	7	Purple	
	Channel 6	8	Grey	
	Channel 7	9	White	
	Channel 8	10	Brown	Black
	GND*	11	Brown	Brown
	GND*	12	Brown	Red
CAN	CAN HIGH	13	Brown	Orange
	CAN LOW	14	Brown	Yellow
manufacturer reserved	do not connect	15	Brown	Green
Sensor supply	Protected supply (6 to 16 V)	16	Brown	Blue
	GND*	17	Brown	Purple
	GND*	18	Brown	Grey
	GND*	19	Brown	White

* Ground pins are internally connected

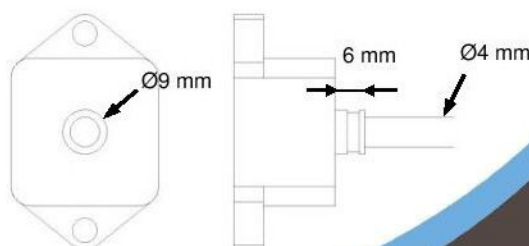
Standard version:

Connector: LEMO HES.2M.319.XLDP
 Mating connector: LEMO FGS.2M.319.XLM



Cable option:

Cable: 19 AWG 28 RW-200-E-3/16
 Cable length :mm



In the interest of continuous product improvement, we reserve the right to alter without prior notice the specifications and features described in this document.