



AC-GAS-1 Axis X or Y

1 axis gas accelerometer

Range $\pm 1, \pm 2, \pm 5, \pm 10$ G
Accuracy ± 2 % FS
Sensitivity 2000 to 200 ± 2 % mV/G
Bandwidth 3dB (std) DC to 20 Hz ± 15 %

Supply voltage 5 to 16 V
Supply current 6 mA
Output Voltage 0 – 5 V
Output impedance 47 Ω
Signal at 0G 2.5 ± 0.05 V
Cross axis sensitivity 4 %
Offset drift (20 to 80°C) ± 50 mV
Gain drift (20 to 80°C) ± 1.5 %

Housing Aluminium
Dimension 25x16x8 mm
Weight 15 g

Vibration test 20 Gpp 5'
Shock 1000 G

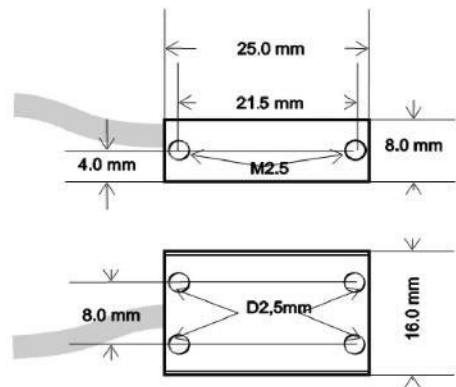
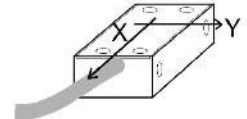
Operating temp -20 to +100°C
Storage temp -40 to +125°C

1 m cable of 3X26AWG FEP
tinned copper braided cable 250V 200°C

Ordering ref ex: AC-GAS-YB
AC-GAS1-XRange or YRange

Range				
AA	A	B	C	N
$\pm 1G$	$\pm 2G$	$\pm 5G$	$\pm 10G$	Not wired

Red Supply
Blue (or Black) 0 V
White Signal X
Braid Not connected



	Calibration table		
	2G 1 V/G	5G 400 mV/G	10G 200 mV/G
-10			0.5
-5		0.5	1.5
-2	0.5	1.7	2.1
-1	1.5	2.1	2.3
0	2.5	2.5	2.5
+1	3.5	2.9	2.7
+2	4.5	3.3	2.9
+5		4.5	3.5
+10			4.5

Examples of inertial units with Texense Gyros and Accelerometers
(Non contractual image)



TEXYS INTERNATIONAL
 ZA des Chamonds
 Rue Edouard Branly
 58640 Varennes-Vauzelles
 (FRANCE)
 Tel. : +33 (0) 3 86 21 27 18
 Fax : +33 (0) 3 86 21 24 49

In the interest of continuous product improvement, we reserve the right to alter without prior notice the specifications and features described in this document.