



GYRP-1 Axis

1 axis gyroscope

Range
Accuracy
Sensitivity
Cut off frequency 1st order

$\pm 50, \pm 100, \pm 150$ °/s
 2 %
 40, 20, 13.3 mV/°/s
 50 Hz

Supply voltage
Supply current
Linear analog output
Output signal °/sec
Output impedance

5 to 16 V
 5 mA
 0 – 5 V
 2.5 ± 0.1 V
 47 Ω

Zero drift (20 to 80°C)
Gain drift (20 to 80°C)

25 mV
 ± 1 %

Dimension
Material
Weight
Protection

25x16x8 mm
 Aluminium
 15 g
 IP66

Vibration test
Shock

20 Gpp 5'
 500 G

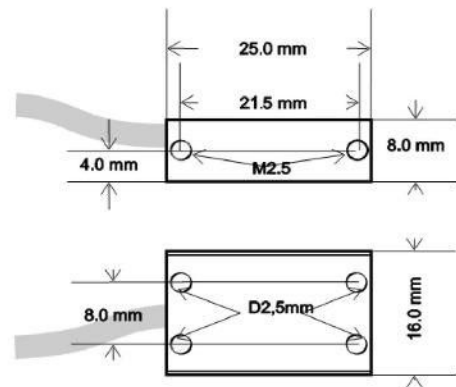
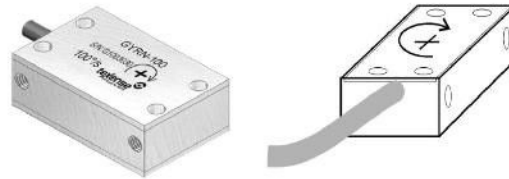
Operating temp
Storage temp

-40 to +105°C
 -40 to +125°C

1 m cable of 3X26AWG FEP
 tinned copper braided cable 250V 200°C

Red
Black
White
Braid

Supply
 0 V
Signal
 Not connected



Calibration table			
°/s	± 50 °/s 40mV/°/s	± 100 °/s 20mV/°/s	± 150 °/s 13,3mV/°/s
-150			0,5
-100		0,5	1,17
-50	0,5	1,5	1,83
0	2,5	2,5	2,5
+50	4,5	3,5	3,17
+100		4,5	3,83
+150			4,5

Out of Range

Examples of inertial units with Texense Gyros and Accelerometers



Ordering ref	ex: GYRP-100
GYRP	Range
	50°/s
	100°/s
	150°/s

In the interest of continuous product improvement, we reserve the right to alter, without prior notice, the specific catons and features described in this document.