

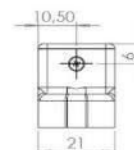
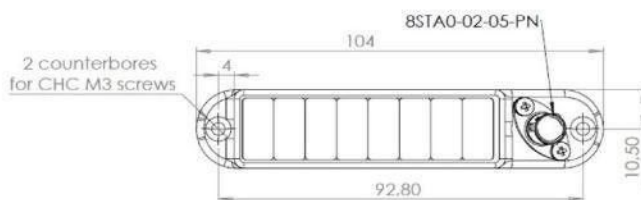
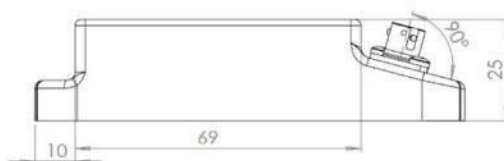
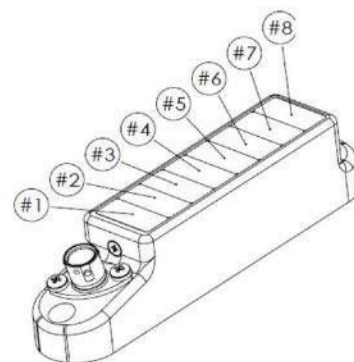


# THNFx8-C

## 8 ch digital TC Conditioner, CAN bus

### 125Hz Sampling Frequency per channel

<b>Range</b>	-100°C min, 1800°C max
<b>Type</b>	B, E, J, K, N, R, S, T
<b>Sampling frequency per ch.</b>	125 Hz
<b>Sampling error</b>	0.2 %FS max
<b>Cold junction error</b>	± 0.25°C
<b>CAN Bus</b>	2.0A
<b>CAN Bus termination</b>	R=120Ω, Switchable via CAN Bus
<b>Output data</b>	2 bytes per channel (signed int)
<b>Resolution</b>	0.1 °/bit
<b>Accuracy</b>	± 0.5°C
<b>Baud rate</b>	125k to 1Mbps
<b>Calibrator</b>	Calog Temperature
<b>Supply voltage</b>	6 to 25 V
<b>Supply current</b>	>30mA
<b>Dimension</b>	104x21x25mm
<b>Material</b>	Aluminum
<b>Weight</b>	80g
<b>Protection</b>	IP 53
<b>Operating temp</b>	-40 to +125°C
<b>Storage temp</b>	-40 to +125°C



Connector : 8STA0-02-05PN  
Mating connector : 8STA6-02-05SN

PIN	Function
1	Supply
2	0 V
3	CAN Low
4	CAN High
5	Reserved, do not connect

Ordering ref:

THNF8x-C-	Type	Range
	K	-20+200
	J	-40+400
	T	0+1800
	...	...

Ex: THNF8x-C-K-50+250 → type K, -50 to +250°C