



# INF (V/T) 150°C

## Analog tyre temperature sensor

### Rectangular or Threaded cylinder

1/2

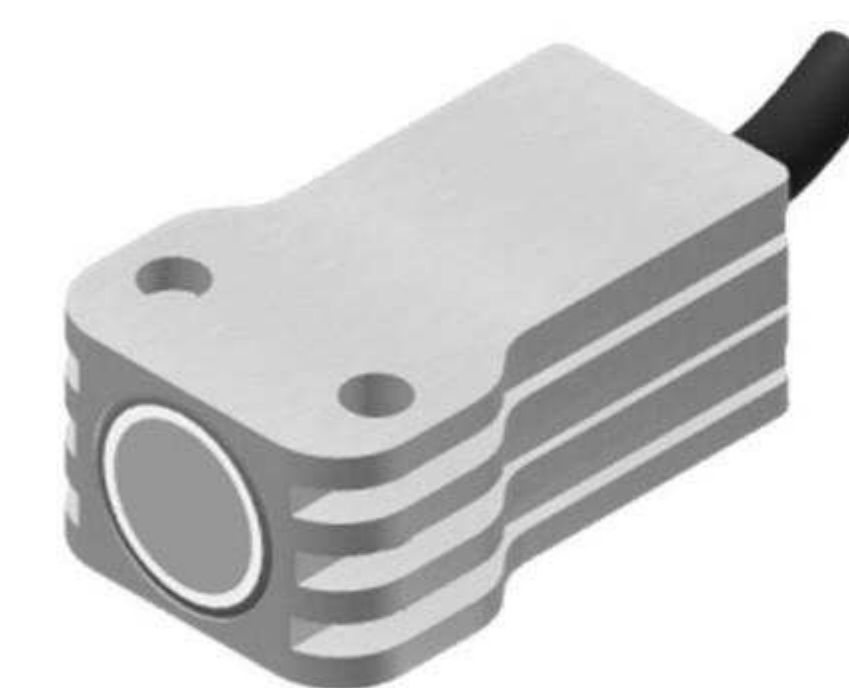
**Range** 0 to 150°C  
**Accuracy** 2% FS  
**Resolution at 150°C** 50 mV/°C  
**Response time** 50 ms

**Supply voltage** 5 to 16V  
**Supply current** 1.5 mA  
**Output Signal** 0 – 5 V

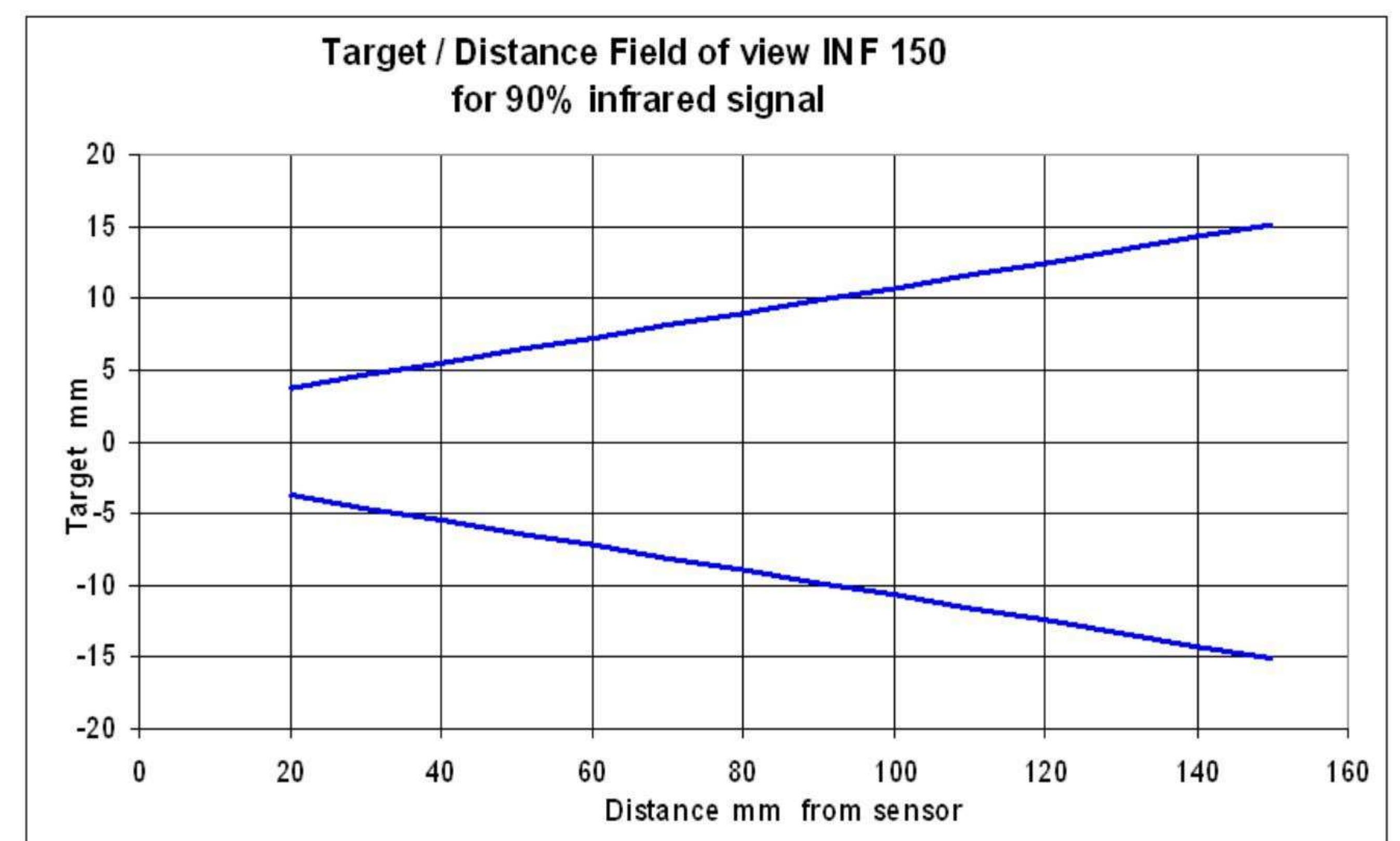
**Measurement distance** 30 to 150 mm  
**Emissivity** 99%  
**Field of view (90% radiation)** 4 : 1 at 50mm  
**Wave length** 8 to 14 µm

**Operating temp** -20 to +100°C  
**Storage temp** -40 to +125°C

“T” type



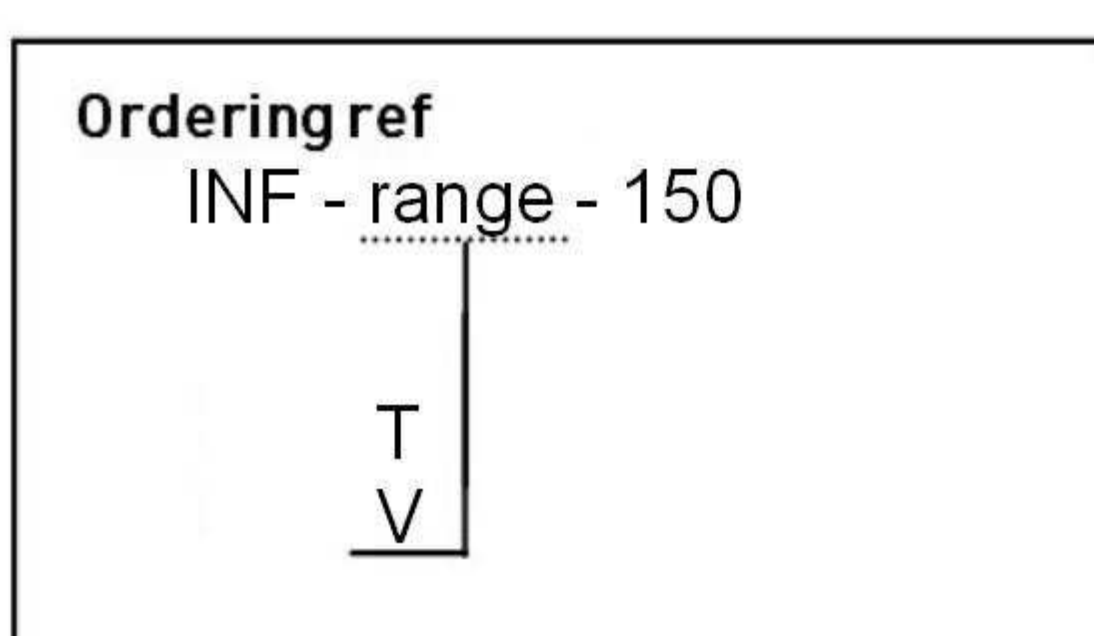
“V” type



Calibration table	
° C	Volts
0	0.50
20	0.81
40	1.19
60	1.65
80	2.20
100	2.85
120	3.61
140	4.50

**Red** 5 - 16V  
**White** Signal  
**Blue (or Black)** 0 V  
**Braid** Not connected

1 m cable of 3X26AWG FEP  
 tinned copper braided cable 250V 200°C



In the interest of continuous product improvement, we reserve the right to alter without prior notice the specifications and features described in this document.



# INF (V/T) 150°C

## Analog tyre temperature sensor

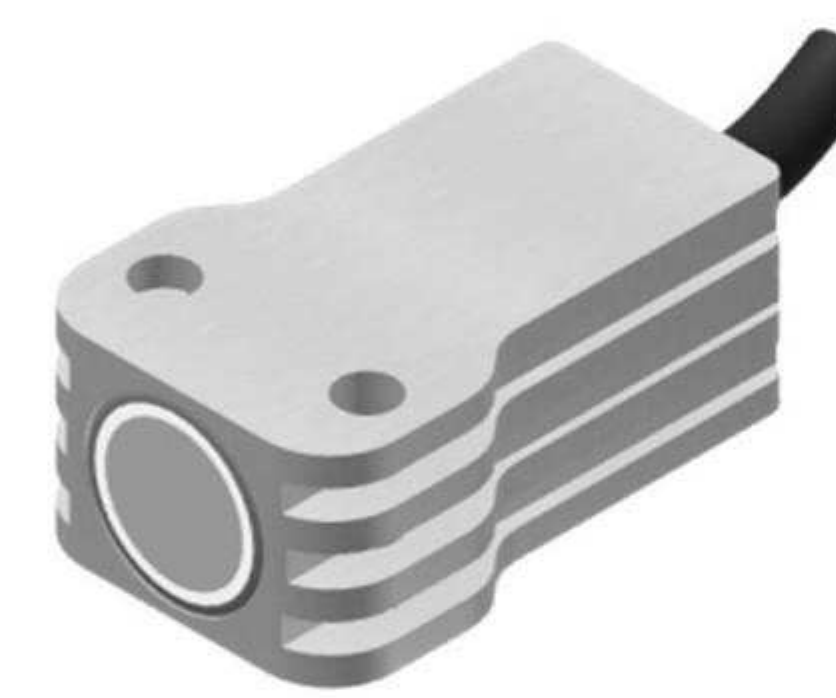
### Rectangular or Threaded cylinder

Housing  
"T" type  
"V" type

Aluminium  
27x17x11 mm  
M12x1x length 32 mm

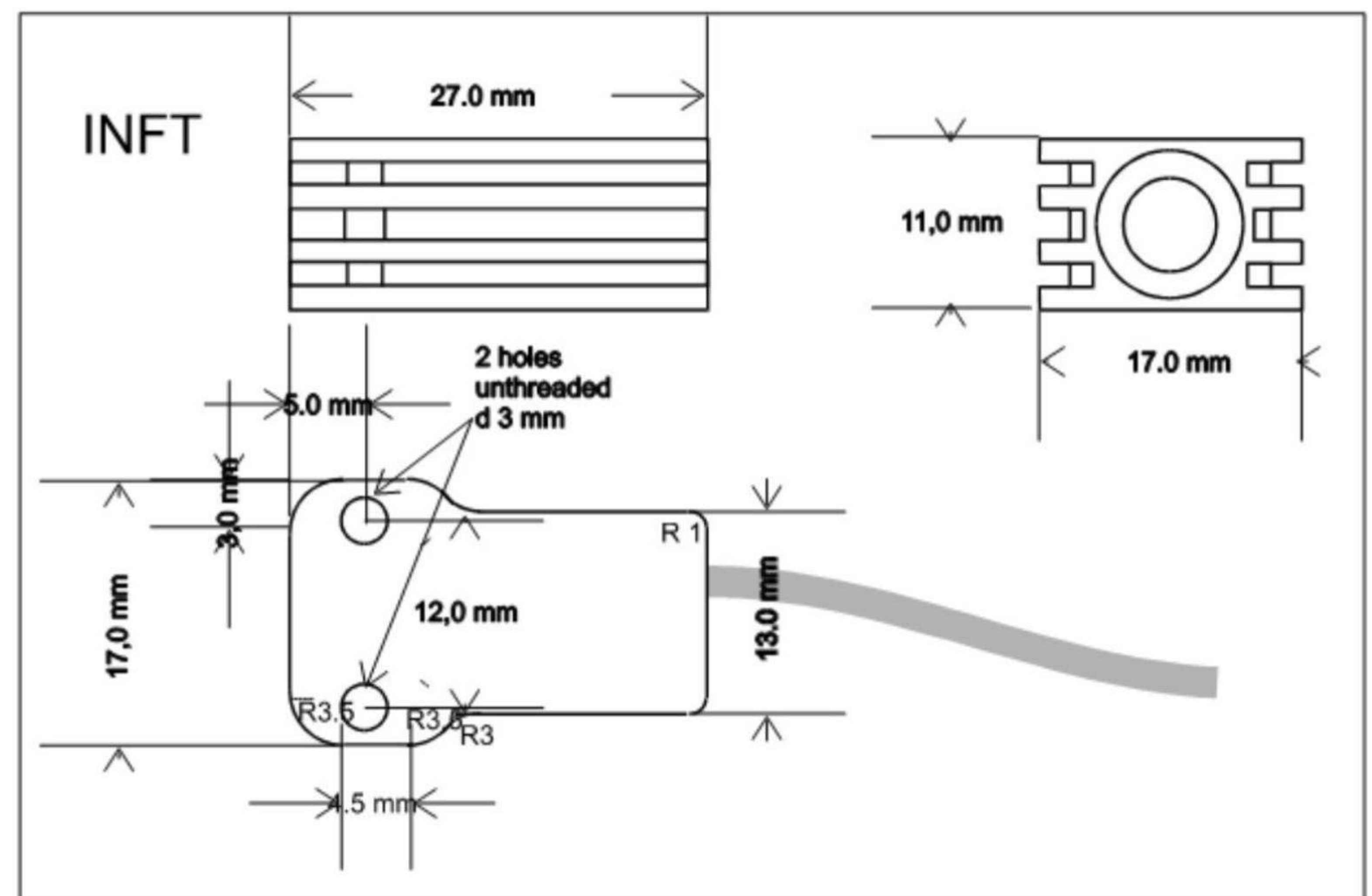
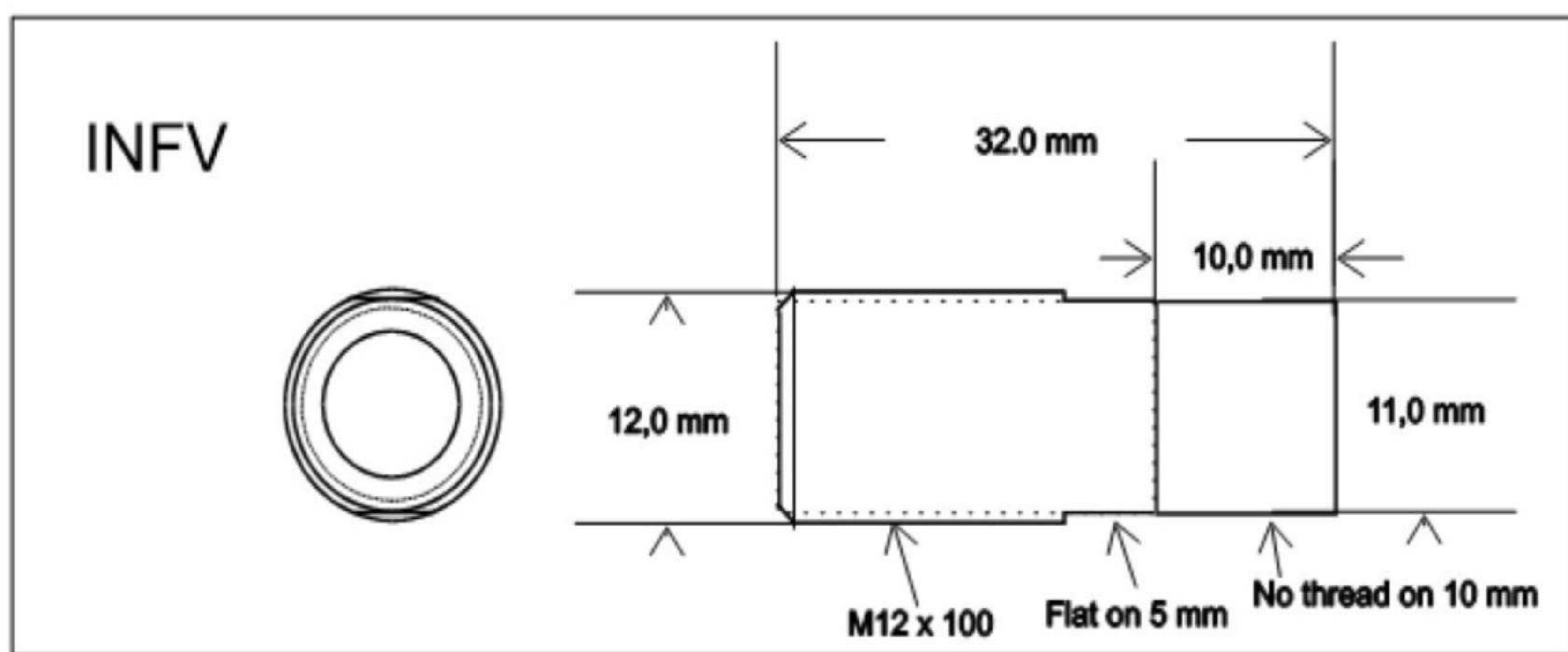
"T" type

"V" type

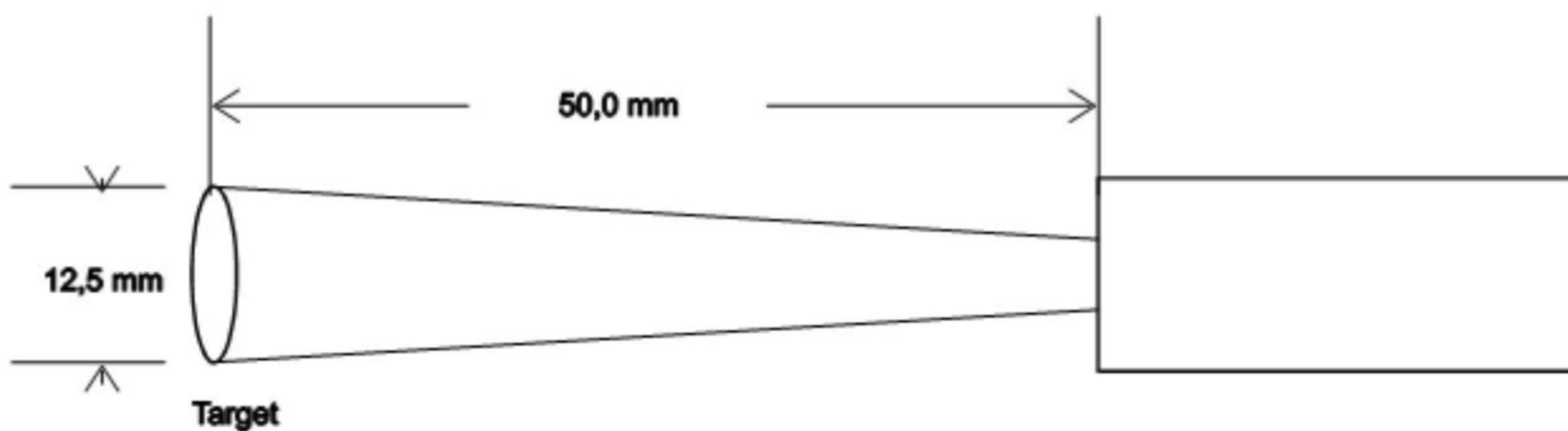


Weight (without cable)

15 g



### Mounting



In the interest of continuous product improvement, we reserve the right to alter without prior notice the specifications and features described in this document.